

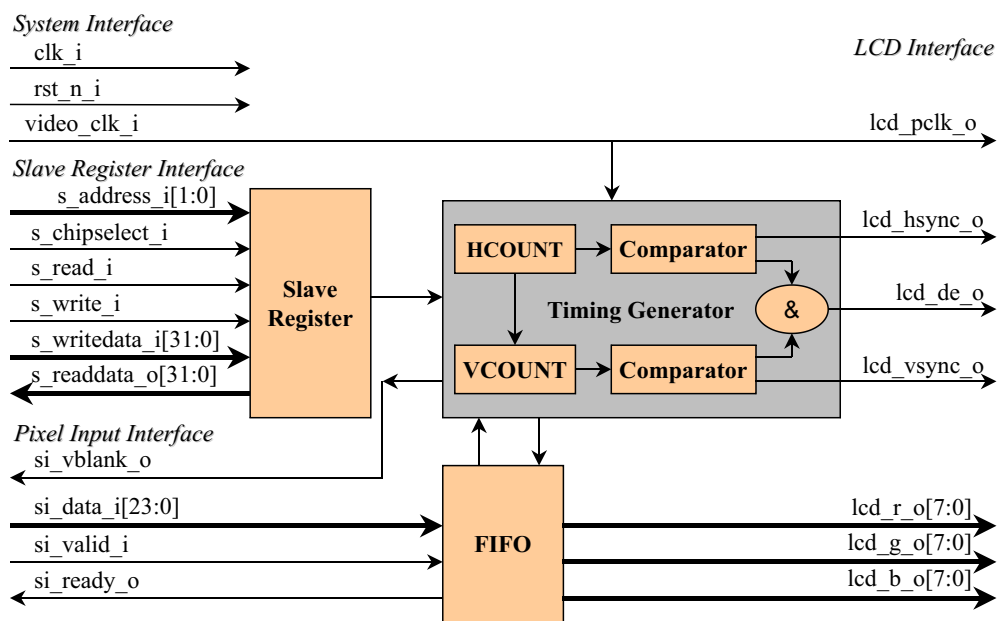
Overview

iW-LCD Interface supports various display modes and programmable display sizes. This simple reliable core can be used in all sorts of applications which use LCD display.

Features

- ❖ Display modes
 - ❖ RGB 4:4:4
 - ❖ RGB 5:5:5
 - ❖ RGB 5:6:5
 - ❖ RGB 6:6:6
 - ❖ RGB 8:8:8
- ❖ Supports programmable display size
- ❖ Supports progressive type of displays
- ❖ Programmable pixel clock frequency
- ❖ Programmable polarity of output enable, frame clock & line clock

Block Diagram



Core Benefits

- ❖ Simple design makes it easier to integrate in many FPGA families

Core Applications

- ❖ Can be used to generate accurate timing for multiple display LCDs
- ❖ Can be used in all sorts of applications including consumer, entertainment, industrial and automotive which use LCDs

Deliverables

- ❖ Technical Specification
- ❖ RTL Verilog Synthesizable Code
- ❖ Comprehensive Test Environment
- ❖ Technical Support and Maintenance

About Us

iWave Systems Technologies is an embedded Hardware and Software Turnkey Design Services focused on providing integrated solutions for developing innovative products and systems in the areas of Communication, Consumer Electronics and Multimedia. iWave offers complete turnkey solutions for systems engineering and product development.

Contact Us

India: iWave Systems Technologies Pvt. Ltd., 7/B, 29th Main, BTM Layout 2nd Stage, Bangalore 560 076. INDIA

Ph : +91-80-26683700, 26786245, Fax : +91-80-26685200

Email : mktg@iwavesystems.com, Web : www.iwavesystems.com

Japan: iWave Japan, Inc. 8F Kannai Sumiyoshi Building 3-29, Sumiyoshi-cho, Naka-ku, Yokohama Kanagawa, Japan.

Ph : +81-45-227-7626, Fax : +81-45-227-7646, Email : info@iwavejapan.co.jp, Web : www.iwavejapan.co.jp